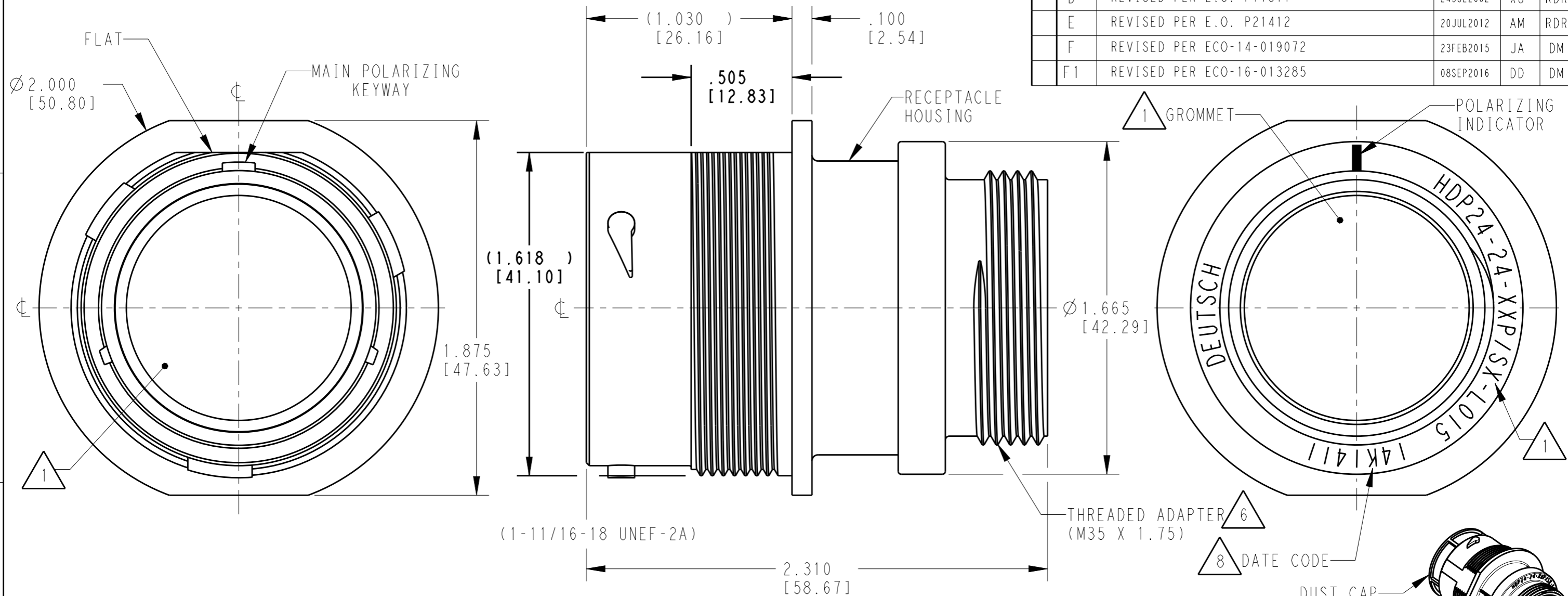


THIS DRAWING IS UNPUBLISHED  
 RELEASED FOR PUBLICATION 2015  
 © COPYRIGHT 1997 BY TE CONNECTIVITY ALL RIGHTS RESERVED.

| LOC | DIST | REVISIONS                 |           |     |      |
|-----|------|---------------------------|-----------|-----|------|
| P   | LTR  | DESCRIPTION               | DATE      | DWN | APVD |
|     | D    | REVISED PER E.O. P17811   | 24JUL2002 | XS  | RDR  |
|     | E    | REVISED PER E.O. P21412   | 20JUL2012 | AM  | RDR  |
|     | F    | REVISED PER ECO-14-019072 | 23FEB2015 | JA  | DM   |
|     | F1   | REVISED PER ECO-16-013285 | 08SEP2016 | DD  | DM   |



5. RECEPTACLE IS SUPPLIED WITH DUST CAP (2415-001-2405).

7. PART MODIFICATION: THREADED ADAPTER

4 MATERIAL: RECEPTACLE HOUSING: PA66 GF10 (BLACK)  
 CONDUIT ADAPTER: PA66 GF10 (GREEN, GRAY, BLUE)  
 GROMMET: SILICONE (ORANGE-RED)

6 CONDUIT ADAPTER ACCEPTS EITHER TYPES:  
 A. CONDUIT ADAPTER CAP NUT (CN21) AND SEAL RING (SRN21)  
 B. BACKSHELL (M902-2243) COMPRESSION NUT (M902-2053)  
 CABLE Ø .430-.570 [10.92-14.78]  
 C. BACKSHELL (M902-2244) COMPRESSION NUT (M902-2054)  
 CABLE Ø .570-710 [14.78-18.03]

8 DATE CODE: IDENTIFIES THE YEAR, MONTH, DAY AND HOUR OF ASSEMBLY.  
 YEAR: FIRST AND SECOND DIGITS. (14 = 2014)  
 MONTH: THRID DIGIT, EXCLUDING I. A = JAN., B = FEB., C = MARCH... (K = OCTOBER)  
 DAY: FOURTH AND FIFTH DIGITS (14 = 14th DAY)  
 HOUR: SIXTH AND SEVENTH DIGITS (11 = 11AM)

3 SEE 0425-021-0000 APPLICATION SPECIFICATION  
 A. RECOMMENDED WIRE INSULATION RANGE  
 B. CONTACT REMOVAL TOOLS  
 C. RECOMMENDED MOUNTING HOLE & PANEL THICKNESS  
 D. MOUNTING HARDWARE & MOUNTING TORQUE.

2. THIS RECEPTACLE MATES WITH HDP26-24-XXP/SX-XXXX PLUG  
 X = SEAL TYPE (N,T,E)  
 XX = INSERT ARRANGEMENT  
 XXXX = MODIFICATION

1 SEE CUSTOMER DRAWING, 0425-014-2400 FOR AVAILABLE INSERT ARRANGEMENTS AND PART NUMBERS.

NOTES:

|  |            |                               |   |                                   |
|--|------------|-------------------------------|---|-----------------------------------|
| THIS DRAWING IS A CONTROLLED DOCUMENT. |            | DWN 04SEP1997<br>STEVE BEARD  | TE Connectivity   |                                   |
| DIMENSIONS: INCHES [mm]                |            | CHK 19JUL2002<br>PAUL BURKE   |   |                                   |
| TOLERANCES UNLESS OTHERWISE SPECIFIED: |            | APVD 23JUL2002<br>STEVE BEARD | NAME RECEPTACLE, THREADED SIZE 24, -L015 MOD HDP SERIES |                                   |
| 0 PLC ±                                |            | PRODUCT SPEC 0425-021-0000    | SIZE A3   |                                   |
| 1 PLC ±                                |            | APPLICATION SPEC 3            | CAGE CODE 4AFU8   | DRAWING NO C-HDP24-24-XXP/SX-L015 |
| 2 PLC ±                                |            |                               | RESTRICTED TO   |                                   |
| 3 PLC ±.015 [0.38]                     |            |                               | SCALE 2:1   | SHEET 1 OF 1                      |
| 4 PLC ±                                |            |                               | REV F1  |                                   |
| ANGLES ±0°30'0"                        |            |                               |   |                                   |
| MATERIAL 4                             | FINISH N/A | WEIGHT                        |   |                                   |
| Customer Drawing                       |            |                               |   |                                   |